



Technical specifications and instructions



**60 Frame
Piston pump**

Brass Models

6020 - 6040

Stainless steel Models

6021 - 6041

Specifications (*)

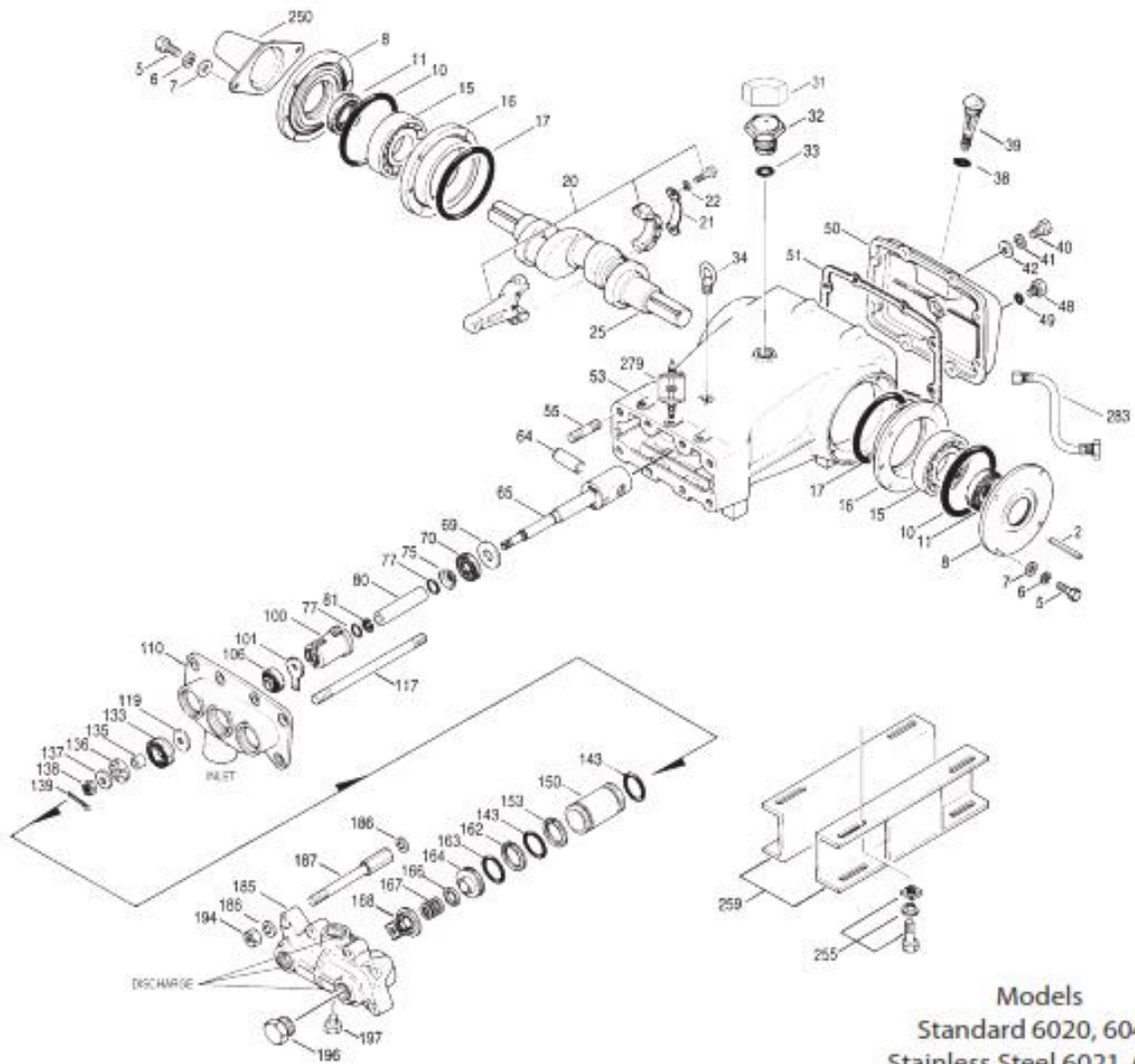
	Model 6020, 6021	Model 6040, 6041
Flow	228 l/min	151 l/min
Pressure range	7 to 70 bar	7 to 105 bar
RPM	500 RPM	500 RPM
Bore	56 mm	46 mm

Common specifications

Stroke	62,5 mm
Crankcase capacity	9,46 L
Maximum liquid temperature	71° C
Inlet pressure range	-0,6 to +2,8 bar
Inlet port (1)	2" NPTF
Discharge ports (3)	1-1/4" NPTF
Shaft diameter	45 mm
Weight	107 kg
Dimensions	796,5 x 610 x 306 mm

(*) Abnormalities permitted only after consultation and written confirmation from Cat Pumps.

Exploded view



Parts list

Item	Num. 6020	Mat.	Num. 6040	Mat.	Description	Qty
2	43048	STL	43048	STL	Key (M14x9x90)	1
5	126532	STCP R	126532	STCP R	Screw, HH (M10x40)	8
6	126231	STCP R	126231	STCP R	Lockwasher (M10)	8
7	126574	STZP R	126574	STZP R	Washer, flat (M10)	8
8	29443	AL	29443	AL	Cover, bearing, outer	2
10	29444	NBR	29444	NBR	O-ring, bearing case – 70D	2
11	11443	NBR	11443	NBR	Seal, oil, crankshaft – 70D	2
15	29441	STL	29441	STL	Bearing, roller	2
16	29442	AL	29442	AL	Case, bearing, inner	2
17	29444	NBR	29444	NBR	O-ring, bearing case – 70D	2
20	126612	BBHS	126612	BBHS	Rod, connecting (incl.21,22)	3
21	126560	STCP R	126560	STCP R	Washer, locking	3
22	126593	STCP R	126593	STCP R	Washer, shim	6
25	29440	FCM	29440	FCM	Crankshaft (M65.5)	1
31	828710	-	818710	-	Protector, oil cap w/foam gasket	1
32	43211	ABS	43211	ABS	Cap, oil filler	1
33	14177	NBR	14177	NBR	O-ring, cap – 70D	1
34	126743	STCP R	126743	STCP R	Bolt, eye (M12) (for lifting pump only)	1
38	129343	RBR	129343	RBR	Gasket, flat flex	1
39	27769	ABS	27769	ABS	Dipstick	1
40	80288	STZP	80288	STZP	Screw, HH (M10x30)	8
	126531	STCP R	126531	STCP R	Screw, HH (M10x30)	8
41	126231	STCP R	126231	STCP R	Lockwasher (M10)	8
42	126574	STZP R	126574	STZP R	Washer, flat (M10)	8
48	25625	STCP	25625	STCP	Plug, drain (1/4" x 19 BSP)	1
49	23170	NBR	23170	NBR	O-ring, drain plug – 70D	1
50	29438	AL	29438	AL	Cover, rear	1
51	129386	NBR	129386	NBR	Gasket, rear cover	1
53	45303	AL	45303	AL	Crankcase w/guide pins (incl. 34,54)	1
54	43282	S	43282	S	Pin, guide	3
55	126554	STCP R	126554	STCP R	Stud (M16x72)	4
	89615	S	89615	S	Stud (M16x70)	3
64	29481	CM	29481	CM	Pin, crosshead	3
65	43809	SSZZ	43809	SSZZ	Rod, piston	3
69	126588	STCP R	126588	STCP R	Washer, oil seal	3
70	29454	NBR	29454	NBR	Seal, oil crankcase – 80D	3
75	29340	S	29340	S	Slinger, barrier	3
77	13967	NBR	13967	NBR	O-ring, sleeve	6
	14308	FPM	14308	FPM	O-ring, sleeve	6
80	43129	SCP	43129	SCP	Sleeve (M25)	3
	43271	S	43271	S	Sleeve (M25)(unchromed)	3
	700923	SS	700923	SS	Sleeve (M25)	3
81	29455	PTFE	29455	PTFE	Back-up-ring, sleeve	3
100	29456	AL	29456	AL	Retainer, seal	3
101	43136	-	43136	-	Wick, oil (M25)	3
106	43130	NBR	43130	NBR	Seal, LPS, ungreased (M25)	3
	43132	FPM	43132	FPM	Seal, LPS, ungreased (M25)	3
110	43283	BBCP	43283	BBCP	Manifold, inlet	1
	29805	SS	29805	SS	Manifold, inlet	1
117	88902	STZP	88902	STZP	Stud (M16x277)	4
119	29460	S	43200	S	Valve, inlet	3
	700942	SS	-	-	Valve, inlet	3
133	29461	NBR	43201	NBR	Cup-piston assy w/S-piston	3

	76609	ST4	31305	ST4	<i>Cup-piston assy w/FPM o-ring (max 70 bar)</i>	3
135	29463	S	29463	S	Spacer, piston	3
136	29464	S	43203	S	Retainer, piston	3
137	44272	SS	44272	SS	Washer, conical (M14)	3
138	29465	S	29465	S	Nut, slotted (M14)	3
139	29354	S	29354	S	Cotterpin (M2.5x25)	3
143	12392	NBR	12392	NBR	O-ring, cylinder – 70D	6
	13279	<i>FPM</i>	13279	<i>FPM</i>	<i>O-ring, cylinder – 70D</i>	3
150	29466	SCP	43204	SCP	Cylinder	3
	43279	S	43392	S	<i>Cylinder (unchromed)</i>	3
	700921	SS	700922	SS	<i>Cylinder</i>	3
153	23116	PTFE	23116	PTFE	Back-up-ring, cylinder	3
162	43206	PTFE	43206	PTFE	Back-up-ring, seat	3
163	29471	NBR	29471	NBR	O-ring, seat	3
	29479	<i>FPM</i>	29479	<i>FPM</i>	<i>O-ring, seat</i>	3
164	43205	S	43205	S	Seat (flat valve)	3
166	29468	S	29468	S	Valve (flat valve)	3
167	29469	S	29469	S	Spring	3
168	43143	S	43143	S	Retainer, spring	3
185	29472	BBCP	29472	BBCP	Manifold, discharge	1
	29806	SS	29806	SS	<i>Manifold, discharge</i>	1
186	126569	STCP R	126569	STCP R	Lockwasher (M16)	12
187	29473	STCP	29473	STCP	Bolt (M16x225)	4
194	88853	STCP	88853	STCP	Nut, hex (M16)	8
	126525	<i>STCP R</i>	126525	<i>STCP R</i>	<i>Nut, hex (M16)</i>	4
	81291	S	81291	S	<i>Nut, hex (M16)</i>	4
196	29476	BBCP	29476	BBCP	Plug (1-14" NPT)	1
197	22187	BBCP	22187	BBCP	Plug (3/8" NPT)	1
	701078	SS	701078	SS	<i>Plug (3/8" NPT)</i>	1
250	29445	AL	29445	AL	<i>Shaft protector (included with pump)</i>	1
255	33243	STZP	33243	STZP	<i>Mount, direct (included with pump)</i>	1
259	29477	STZP	29477	STZP	<i>Mounting, rail (included 2 with pump)</i>	2
279	30429	STZP	30429	STZP	Oilers	3
281	30969	-	30969	-	<i>Oilers, glass</i>	3
282	10070	NBR	10070	NBR	<i>Gasket, oiler</i>	3
283	34314	-	34314	-	<i>Kit, oil drain</i>	1
300	30440	NBR	30433	NBR	<i>Kit, cup (incl. 133,139,143)</i>	1
	700973	NBR*	-	-	<i>Kit, cup (incl. 133, 139, 143) (6021 only)</i>	1
302	30439	NBR	-	-	<i>Kit, piston (incl. 119,133,135,136,137,138,139,143)</i>	1
	701039	NBR	-	-	<i>Kit, piston (incl. 119, 133, 136, 137, 138, 139, 143) (6021 only)</i>	1
305	30485	NBR	30485	NBR	<i>Kit, sleeve & seal (incl. 75,77,80,81,101,106,139)</i>	1
306	30484	NBR	30484	NBR	<i>Kit, seal (incl.101,106,139)</i>	1
310	30441	NBR	30441	NBR	<i>Kit, valve (incl. 143, 162, 164, 166, 167, 168)</i>	1
-	76441	<i>FPM</i>	76441	<i>FPM</i>	<i>Kit, valve (incl. 143, 162, 164, 166, 167, 168)</i>	1
-	717500	SS	717500	SS	<i>C.A.T. (Captive Acceleration Tube)</i>	1
-	717508	SS	717508	SS	<i>Adapter (2 per C.A.T.)(see datasheet)</i>	2

Bold print part numbers are unique to a particular pump model. Italics are optional items. R components comply with RoHS Directive. See 'Tech Bulletins' 002, 003, 024, 035, 036, 074, 077, 083 and 084 for additional information
C.A.T. highly recommended for pressurized inlet, R.O. and industrial applications.

Material codes: (not part or part number)

ABS	ABS Plastic	NBR	Medium nitrile (Buna-N)	STCP	Steel/chrome plated
AL	Aluminum	PTFE	Pure polytetrafluorethylene	STL	Steel
BBCP	Brass/chrome plated	RBR	Rubber	STZP	Steel/zinc plated
BBHS	Brass/high strength	S	304 stainless steel	TG	PTFE graphite compound (GIT)
CM	Chrome-moly	SCP	304 SS / chrome plated	ST4	Special PTFE 4
FCM	Forged chrome-moly	SS	316 stainless steel		
FPM	Fluorocarbon	SSZZ	316 SS / zamak		