



Technical specifications and instructions



5CP Plunger Pump Standard Model - Brass

5CP4110CSS

5CP4112CSS

5CP4114CSS

5CP4116CSS

5CP4118CSS

5CP4120CSS

Specifications (*)

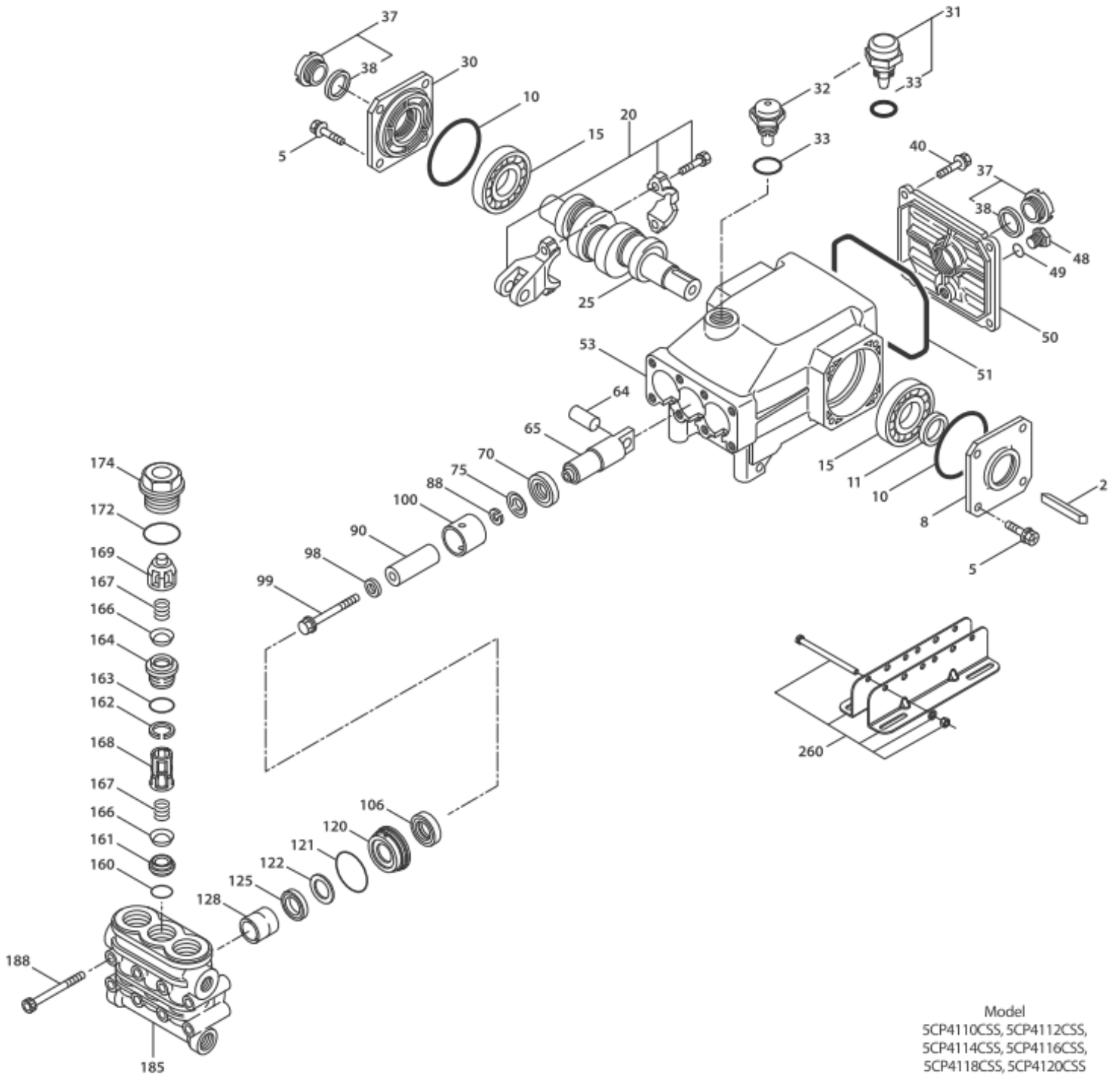
	Model 5CP4110CSS	Model 5CP4112CSS	Model 5CP4114CSS
Flow	6,7 l/min	8,3 l/min	9,8 l/min
Stroke	10 mm	12 mm	14 mm
	Model 5CP4116CSS	Model 5CP4118CSS	Model 5CP4120CSS
Flow	11,7 l/min	12,9 l/min	13,8 l/min
Stroke	16,5 mm	18 mm	20 mm

Common specifications

Pressure range	6,9 to 275 bar
RPM pump	1450 RPM
Inlet pressure range	-2 to 4 bar
Bore	15 mm
Crankcase capacity	0,51 L
Standard liquid temperature	71° C
Inlet ports (2)	1/2" NPTF
Discharge ports (2)	3/8" NPTF
Shaft diameter	20 mm
Weight	9 kg
Dimensions	270 x 266 x 146 mm

(*) Abnormalities permitted only after consultation and written confirmation from Cat Pumps.

Exploded View



Model
SCP4110CSS, SCP4112CSS,
SCP4114CSS, SCP4116CSS,
SCP4118CSS, SCP4120CSS
July 2017

Parts list

It.	Num.	Mat.	Description	Qt
2	30057	STL	Key (M6x6x25)	1
5	126542	STCP R	Screw, HHC sems (M8x16)	8
8	46910	AL	Cover, bearing	1
10	14028	NBR	O-ring, bearing cover – 70D	2
11	43222	NBR	Seal, oil, crankshaft – 70D	1
15	14480	STL	Bearing, ball	2
20	48742	TNM	Rod, connecting assy	3
25	48203	FCM	Crankshaft, single end (M10)	1
	48500	FCM	Crankshaft, single end (M12)	1
	49872	FCM	Crankshaft, single end (M14)	1
	48368	FCM	Crankshaft, single end (M16,5)	1
	48233	FCM	Crankshaft, single end (M18)	1
	49773	FCM	Crankshaft, single end (M20)	1
30	49776	AL	Cover, bearing	1
31	127409	-	Cap, vented w/o ring (rain cap)	1
32	46798	-	Cap, oil filler, domed	1
33	14179	NBR	O-ring, oil filler cap – 70D	1
37	92241	-	Gauge, oil, bubble w/gasket – 80D	2
38	44428	NBR	Gasket, flat, oil gauge – 80D	2
40	125824	STCP R	Screw, HHC sems (M6x16)	4
48	25625	STCP	Plug, drain (1/4"x19BSP)	1
49	23170	NBR	O-ring, drain plug – 70D	1
50	46940	AL	Cover, rear	1
51	14044	NBR	O-ring, rear cover	1
53	48617	AL	Crankcase	1
64	46746	CM	Pin, crosshead	3
65	48458	BBNP	Rod, plunger	3
70	46838	NBR	Seal, oil, crankcase – 70D	3
75	43900	S	Slinger, barrier	3
88	45697	S	Washer, keyhole (M18x10)	3
90	49906	CC	Plunger (M15 x 41)	3
98	46730	NBR	Washer, seal – 90D	3
99	49907	S	Retainer, plunger w/stud (M6)	3
100	46749	PVDF	Retainer, seal	3
106	49913	NBR	Seal, LPS w/SS-Spg	3
120	49912	BB	Case, seal (press-in-style)	3
121	13980	NBR	O-ring, seal case – 70D	3
122	49944	UHMW	Ring, support	3
125	49910	SNG	Seal, HPS	3
128	49990	D	Adapter, male	3
139	22179	BBCP	Plug, inlet (1/2"NPTM)	1
160	11346	NBR	O-ring, inlet seat – 70D	3
161	49918	S	Seat, inlet	3
162	49844	PTFE	Back-up-ring, discharge seat	3
163	49845	NBR	O-ring, discharge seat – 70D	3
164	49917	S	Seat, discharge	3
166	46429	S	Valve	6
167	43750	S	Spring	6
168	49847	PVDF	Retainer, spring, inlet	3
169	44565	PVDF	Retainer, spring, discharge	3
172	26089	NBR	O-ring, valve plug – 80D	3
174	49920	BB	Plug, valve	3
185	49863	FBB	Manifold, head	1
188	87868	STZP	Screw, HSH (M8x107)	8

196	22187	BBCP	<i>Plug, discharge (3/8"NPTM)</i>	1
255	30243	STZP	<i>Mount, direct</i>	1
260	30611	STZP R	<i>Mount, rail, assy (4.22")</i>	1
	30613	STZP R	<i>Mount, rail, assy (5.02")</i>	1
	76513	STZP R	<i>Mount, rail, assy (5.52")</i>	1
275	30944	STL	<i>Assembly, Hub & Key (incl 30945, 30057)</i>	1
283	76334	-	<i>Kit, oil indicator (3/8" x 24") (see individual data sheet)</i>	1
	34334	-	<i>Kit, oil drain (3/8" x 24") (see individual data sheet)</i>	1
299	818584	FBB	<i>Head, complete w/NBR seals & O-rings</i>	1
300	76979	NBR	<i>Kit, seal (incls: 98,106,121,125,128)</i>	1
310	77026	NBR	<i>Kit, valve (incls: 160-164,166-169,172)</i>	1

Bold print partnumber are unique to a particular pump model. Italics are optional items.

R Components comply with RoHS directive.

See 'Tech Bulletins' 002, 003, 024, 036, 043, 053, 060, 061, 064, 073, 074, 078 and 083 for additional information.

Material codes: (not part or part number)

AL	Aluminum	FBB	Forged brass	STCP	Steel / chrome plated
BB	Brass	FCM	Forged chrome-moly	STL	Steel
BBCP	Brass / chrome plated	NBR	Medium nitrile (Buna-N)	STZP	Steel / zinc plated
BBNP	Brass nickel plated	PTFE	Polytetrafluoroethylene	TNM	Special high strength
CC	Ceramic	PVDF	Polyvinylidene fluoride	UHMW	Ultra high molecular weight
CM	Chrome-moly	S	304 stainless steel		polyethylene
D	Acetal	SNG	Special blend (Buna)		