



Technical specifications and instructions



18 Frame Block-Style Plunger pump

Standard 1810

Flushed 1810K

Specifications (*)

Flow	11,4 L/min
Pressure range	6,9 to 689 bar
RPM	1500 RPM

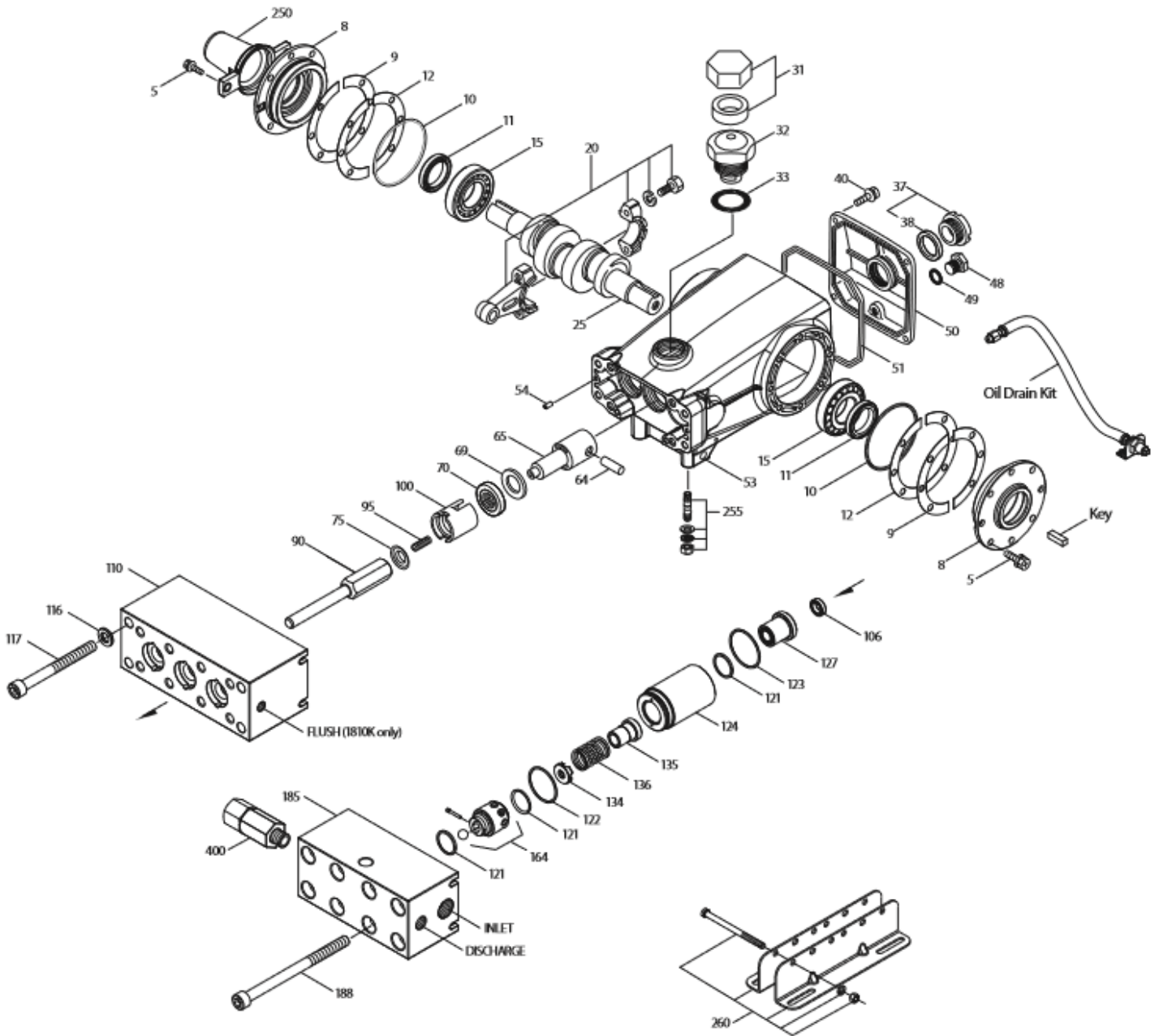
Model 1810

Common specifications

Inlet pressure range	Flooded to 4,1 bar
Bore	11 mm
Stroke	30 mm
Crankcase capacity	1,26 L
Maximum liquid temperature	71° C
Inlet ports (2)	1/2" NPTF
Flushed ports (2)	1/4" NPTF
Discharge ports (2)	3/8" NPTF
Shaft diameter	30 mm
Weight	27,2 kg
Dimensions	496 x 330 x 164 mm

(*) Abnormalities permitted only after consultation and written confirmation from Cat Pumps.

Exploded View



Models
1810, 1810K
October 2019

Parts list

Item	Num. 1810	Mat.	Description	Qty
2	30067	STL	Key (M8x7,5x25)	1
5	49651	S	Screw, HHC sems (M8x20) (see TB 128)	8
8	134805	ALE	Cover, bearing (see TB 118, 128)	2
9	855043	FBR	Split shim, bearing cover, 2 pc (see TB 128)	2
10	11340	NBR	O-ring, bearing case – 70D	2
11	43495	NBR	Seal, oil, crankshaft	2
12	855044	S	Split shim, bearing cover, 2 pc (see TB 128)	2
15	39060	STL	Bearing, roller	2
20	48600	TNM	Rod assy, connecting	3
25	43494	FCM	Crankshaft – dual end (M30)	1
31	828710	PE	Protector, oil cap w/foam gasket	1
32	43211	ABS	Cap, oil filler	1
33	14177	NBR	O-ring, filler cap – 70D	1
37	92241	PC	Gauge, oil, bubble w/gasket – 80D	1
38	44428	NBR	Gasket, flat, oil gauge – 80D	1
40	92542	S	Screw, HHC sems (M6x20)	4
48	25625	STCP	Plug, drain (1/4" x 19 BSP)	1
49	23170	NBR	O-ring, drain plug – 70D	1
50	133576	ALE	Cover, rear (see TB 118,128)	1
51	44834	NBR	O-ring, rear cover – 70D	1
53	134848	ALE	Crankcase (inclds 54) (see TB 118,128)	1
54	27488	S	Pin, guide	2
64	43507	CM	Pin, crosshead	3
65	48892	SSHB	Rod, plunger, short	3
69	126592	STCP R	Washer, seal	3
70	43500	NBR	Seal, oil, crankcase	3
75	43506	S	Slinger, barrier	3
90	76595	CC	Assembly, plunger, M11x80 w/S holder	3
95	31585	S	Stud, plunger (M6x20)	3
100	995590	POP	Retainer, seal	3
106	76111	ST2	Seal, LPS	3
110	76840	SFSS	Block, housing	1
	76850	SFSS	Block, housing (Model 1810K)	1
116	31545	S	Washer, flat (M10)	4
117	31695	S	Screw, HSH (M10x100)	4
121	31565	PTFE	Ring, cylinder sealing	9
122	31485	NBR	O-ring, front cylinder – 70D	3
	76113	FPM	O-ring, front cylinder – 70D	3
123	31475	NBR	O-ring, rear cylinder – 70D	3
	31476	FPM	O-ring, rear cylinder – 70D	3
124	76490	SFSS	Cylinder	3
	76495	SFSS	Cylinder (Model 1810K)	3
127	76310	UHMW	Assembly, V-packing w/BZ cylinder support	3
	76431	PTFE	Assembly, V-packing w/BZ cylinder support	3
134	76350	S455	Valve, inlet	3
135	76115	PET	Retainer, inlet spring	3
136	31575	S	Spring, inlet valve	3
164	76510	SFSS	Seat, ball assembly w/ceramic ball	3
185	76885	SFSS	Manifold, inlet/discharge, block-style	1
188	31692	S	Screw, HSH (M10x140)	8
250	855046	NY	Protector, shaft w/two SS screws (see TB 128)	1
255	30264	STZP	Mount, direct	1
260	30613	STZP R	Mount, rail assy	1

	990550	STZP R	Mount, rail (required on diesel/gas)	1
	76513	STZP R	Mount, rail assy	1
269	30206	F	Pulley (10") AB (see TB 003)	1
274	30059	STL	Hub, 'H' (M30) (Keyway M8) (see TB 003)	1
283	34334	-	Kit, oil drain (3/8" x 24")	1
299	992810	SFSS	Head, complete, w/plungers	1
	992820	SFSS	Head, complete, w/plungers (model 1810K)	1
300	76810	NBR*	Kit, seal (incls: 106,121,122,123,127) standard	1
	76811	FPM*	Kit, seal (incls: 106,121,122,123,127)	1
310	76820	NBR	Kit, valve (incls: 121,122,123,134,136,164)	1
400	9920	SS	Assembly, rupture disc (relief valve) (incls: 3 discs)	1
-	76010	SS	Rupture disc	1

Bold part numbers are unique to a particular pump model. *Italics are optional items.* R components comply with RoHS directive. * Review individual parts in each kit for material code identification.

See 'Tech Bulletins' 024, 035, 036, 043, 074, 083, 095, 118 and 128 for additional information.

Material codes: (not part or part number)

ABS	Plastic	NY	Nylon	SS	316 stainless steel
ALE	Aluminum Epoxy	PC	Poly Carbonate	SSHB	316 SS w/high strength brass
CC	Ceramic	PE	Polyethylene	ST	Polyetheretherketon
CM	Chrome-moly	PET	Polyethelyne terephthalate	ST2	Special PTFE
F	Cast iron	POP	Polypropylene	STCP	Steel / chrome plated
FBR	Fiber	PTFE	Pure polytetrafluorethylene	STL	Steel
FCM	Forged chrome-moly	S	304 stainless steel	STZP	Steel / zinc plated
FPM	Fluorocarbon	S455	455 stainless steel	TNM	Special high strength
NBR	Medium nitrile (Buna-N)	SFSS	17-4 stainless steel	UHMW	Ultra high molecular weight polyethylene