



Technical specifications and instructions



**35 Frame
Plunger pump**

**Stainless steel model
3501, 3511**

**SS Flushed model
3501C, 3511C**

Specifications (*)

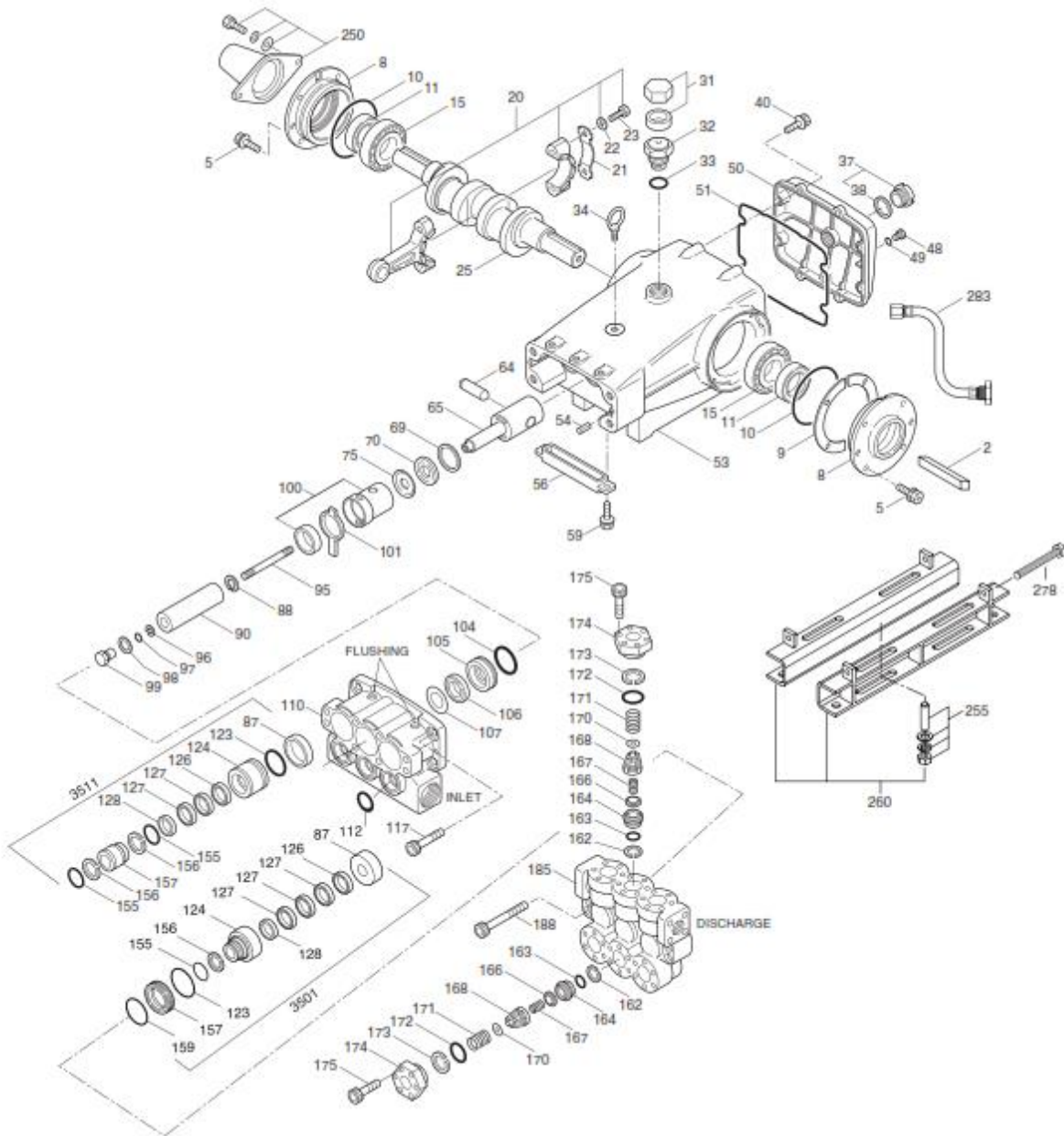
	Model 3501-3501C	Model 3511-3511C
Flow	38 l/min	53 L/min
Pressure range	7 to 345 bar	7 to 210 bar
RPM	915 RPM	800 RPM
Bore	20 mm	25 mm

Common specifications

Stroke	48 mm
Inlet pressure range	Flooded to 4,9 bar
Crankcase capacity	4 L
Maximum liquid temperature	71° C
Inlet ports (2)	1"-1/2" NPTF
Flushing ports (2) (3501,3501C)	1/4" NPTF
Discharge ports (2) (3501,3501C)	3/4" NPTF
Discharge ports (2) (3511,3511C)	1" NPTF
Shaft diameter	35 mm
Weight	59 kg
Dimensions	623 x 460 x 247 mm

(*) Abnormalities permitted only after consultation and written confirmation from Cat Pumps.

Exploded View



Models
3501, 3501C
3511, 3511C

Parts list

Item	Num. 3501	Mat.	Num. 3511	Mat.	Description	Qty
2	34021	STL	34021	STL	Key (M10x8x70)	1
5	125753	S	125753	S	Screw, HH sems (M8x25)	8
8	44542	AL	44542	AL	Cover, bearing	2
9	815279	FBR	815279	FBR	Shim, split, 2pcs	2
10	12398	NBR	12398	NBR	O-ring, bearing cover – 70D	2
11	13296	NBR	13296	NBR	Seal, oil, crankshaft	2
15	29326	STL	29326	STL	Bearing, roller	2
20	126725	BZ	126725	BZ	Rod, Connecting assy (incl. 21,22,23)	3
21	126749	STCP R	126749	STCP R	Washer, locking (M10)	3
22	126593	STCP R	126593	STCP R	Washer, flat (M10)	6
23	122045	STZP	122045	STZP	Screw, HH (M10x55)	6
25	29325	FCM	29325	FCM	Crankshaft, dual end (M48)	1
31	828710	PE	828710	PE	Protector, oil cap w/foam gasket	1
32	43211	ABS	43211	ABS	Cap, oil filler	1
33	14177	NBR	14177	NBR	O-ring, oil filler cap – 70D	1
34	126743	STCP R	126743	STCP R	Bolt, eye (M12x1,75) (for lifting pump only)	1
37	92241	-	92241	-	Gauge, bubble oil w/gasket – 80D	1
38	44428	NBR	44428	NBR	Gasket, flat oil gauge – 80D	1
40	125753	S	125753	S	Screw, HH sems (M8x25)	8
48	25625	STCP	25625	STCP	Plug, drain (1/4" x 19 BSP)	1
49	23170	NBR	23170	NBR	O-ring, drain plug – 70D	1
50	45936	AL	45936	AL	Cover, rear	1
51	16612	NBR	16612	NBR	O-ring, cover – 70D	1
53	44487	AL	44487	AL	Crankcase assy (incl. 34,54)	1
54	27488	S	27488	S	Pin, guide	2
56	27790	POP	27790	POP	Pan, oil	1
59	92538	S	92538	S	Screw, HHC sems (M6x16)	2
64	43864	CM	43864	CM	Pin, crosshead	3
65	45118	SSZZ	45116	SSZZ	Rod, plunger	3
69	126587	STCP R	126587	STCP R	Washer, oil seal	3
70	100488	NBRS	100488	NBRS	Seal, oil, crankcase	3
	44739	FPM	44739	FPM	Seal, oil, crankcase	3
75	43506	S	43865	S	Slinger, barrier	3
87	49667	SSL	109608	SS	Collar	3
88	45675	S	45676	S	Washer, keyhole	3
90	43945	CC	-	-	Plunger (M20x145)	3
	-	-	43866	CC	Plunger (M25x145)	3
95	89779	S	-	-	Stud, retainer (M7x135)	3
	-	-	89778	SS	Stud, retainer (M10x135)	3
96	20184	PTFE	20189	PTFE	Back-up-ring, plunger retainer	3
97	14190	NBR	11345	NBR	O-ring, plunger retainer – 70D	3
	14161	FPM	11375	FPM	O-ring, plunger retainer – 70D	3
98	44069	SS	-	-	Gasket, plunger retainer (M7)	3
	-	-	44085	SS	Gasket, plunger retainer (M10)	3
99	44068	SS	-	-	Retainer, plunger (M7)	3
	-	-	44084	SS	Retainer, plunger (M10)	3
100	814279	PVDF	814279	PVDF	Retainer, seal, 2 pc	3
101	44095	-	44096	-	Wick	3
104	43875	NBR	43875	NBR	O-ring, adapter – 70D	3
	44826	FPM	44826	FPM	O-ring, adapter – 70D	3
105	701344	SS	113022	SS	Adapter, LPS	3
106	44071	NBR	44086	NBR	Seal, LPS w/SS-Spg	3
	44381	FPM	45846	FPM	Seal, LPS w/SS-Spg	3
107	44074	SS	44089	SS	Washer, LPS	3
110	45365	SS	45365	SS	Manifold, inlet	1
	125397	SS	125397	SS	Manifold, inlet, flushed (1/4" flush port) 3501C, 3511C	1
112	11379	NBR	11379	NBR	O-ring, inlet manifold – 70D	3
	14183	FPM	14183	FPM	O-ring, inlet manifold	3
117	44585	S	44585	S	Screw, HSH (M14x40)	4
123	12391	NBR	12391	NBR	O-ring, V-packing cylinder – 70D	3

	13266	FPM	13266	FPM	O-ring, V-packing cylinder – 70D	3
124	49666	SSL	113023	SS	Cylinder, V-packing	3
126	44164	SS	113024	SS	Adapter, female	3
127	44607	STG*	-	-	V-packings	9
	-	-	44610	STG*	V-packings	6
128	44165	SS	113025	SS	Adapter, male	3
155	17622	NBR	-	-	O-ring, V-packing spacer – 85D	3
	11719	FPM	-	-	O-ring, V-packing spacer	3
	-	-	11379	NBR	O-ring, V-packing spacer – 70D	6
	-	-	14183	FPM	O-ring, V-packing spacer	6
156	28675	PTFE	-	-	Back-up-ring, V-packing spacer	3
	-	-	28243	PTFE	Back-up-ring, V-packing spacer	6
157	49668	SSL	113026	SS	Spacer, V-packing	3
159	12390	NBR	-	-	O-ring, V-packing spacer – 70D	3
	13264	FPM	-	-	O-ring, V-packing spacer	3
162	21985	PTFE	21985	PTFE	Back-up-ring, seat	6
163	26089	NBR	26089	NBR	O-ring, seat – 80D	6
	<i>11377</i>	<i>FPM</i>	<i>11377</i>	<i>FPM</i>	<i>O-ring, seat – 80D</i>	6
164	49671	SS	49671	SS	Seat	6
166	44081	SS	44081	SS	Valve	6
167	44082	SS	44082	SS	Spring	6
168	44735	PVDF	44735	PVDF	Retainer, spring	6
170	44794	SS	44794	SS	Washer, spring retainer	6
171	44793	SS	44793	SS	Spring, coil, valve plug	6
172	15853	NBR	15853	NBR	O-ring, valve plug – 70D	6
	<i>11720</i>	<i>FPM</i>	<i>11720</i>	<i>FPM</i>	<i>O-ring, valve plug – 70D</i>	6
173	20224	PTFE	20224	PTFE	Back-up-ring, valve plug	6
174	45603	SS	45603	SS	Plug, valve	6
175	87951	S	87951	S	Screw, HSH (M10x30)	36
185	49669	SSD	49672	SSD	Manifold, discharge	1
188	89981	S	89981	S	Screw, HSH (M12x70)	8
250	44516	NY	44516	NY	Protector, shaft, w/2 screws, lockwashers, washers (incl w/pump)	1
255	<i>34018</i>	<i>STZP R</i>	<i>34018</i>	<i>STZP R</i>	<i>Assy, direct mount</i>	1
-	<i>34039</i>	<i>S</i>	<i>34039</i>	<i>S</i>	<i>Assy, direct mount</i>	1
260	<i>92674</i>	<i>STZP R</i>	<i>92674</i>	<i>STZP R</i>	<i>Mounting, rail, assy (incl. 34018)</i>	1
275	990013	STL	990013	STL	Hub "B" 35mm w/keyway (see TB 003)	1
278	80540	ZP	80540	ZP	Screw, HH (M12x100)(rail adjusting screw)	1
279	30278	STZP	30278	STZP	Oiler (not shown)	3
281	30967	-	30967	-	Glass, oiler (not shown)	3
282	10069	NBR	10069	NBR	Gasket, oiler (not shown)	3
283	34314	-	34314	-	Kit, oil drain (3/8" x 48")	1
299	818459	SS	818438	SS	Head, complete	1
300	76037	NBR*	-	-	Kit, seal (incl. 97,104,106,112,123,127,155,156,159)	1
	76235	FPM*	-	-	Kit, seal (incl. 97,104,106,112,123,127,155,156,159)	1
	-	-	31038	NBR*	Kit, seal (incl. 97,104,106,112,123,127,155,156)	1
	-	-	31266	FPM*	Kit, seal (incl. 97,104,106,112,123,127,155,156)	1
310	76251	NBR	76251	NBR	Kit, valve (incl.162,163,164,166,167,168,170,172,173)	2
	76798	FPM	76798	FPM	Kit, valve (incl.162,163,164,166,167,168,170,172,173)	2
390	711500	SS	711500	SS	C.A.T.	1
391	711506	SS	711506	SS	Adapter (2 per C.A.T.)	2
392	701818	SS	701818	SS	Elbow assy used with adapter assy 711506	1
-	819000	F	819000	F	Assy, crankcase, cast iron conversion	1

Bold print part numbers are unique to a particular pump model. Italics are optional items.

{ } Date of latest production change. R Components comply with RoHS directive. * Review individual parts in each kit for material code identification. C.A.T. highly recommended for pressurized inlet, R.O. and industrial applications. See 'Tech Bulletins' 002, 003, 024, 035, 036, 041, 043, 052, 053, 068, 069, 074, 077, 080, 083 and 095 for additional information.

Material codes: (not part or part number)

ABS	ABS plastic	NAB	Nickel aluminum bronze	SSD	Duplex stainless
AL	Aluminum	NBR	Medium nitrile (Buna-N)	SSL	316 SS / low carbon
BB	Brass	NBRs	Buna, silicone free	SSZZ	316 SS / zamak
BZ	Bronze	NY	Nylon	STCP	Steel / chrome plated
CC	Ceramic	PE	Polyethylene	STG	Special blend PTFE white
CM	Chrome-moly	POP	Polypropylene	STL	Steel
F	Cast iron	PTFE	Pure polytetrafluoroethylene	STZP	Steel / zinc plated
FCM	Forged chrome-moly	PVDF	Polyvinylidene fluoride	ZP	Zinc plated
FBR	Fiber	S	304SS		
FPM	Fluorocarbon	SS	316SS		