



Technical specifications and instructions



35 Frame Plunger pump

Model 3560

Specifications (*)

Model 3560

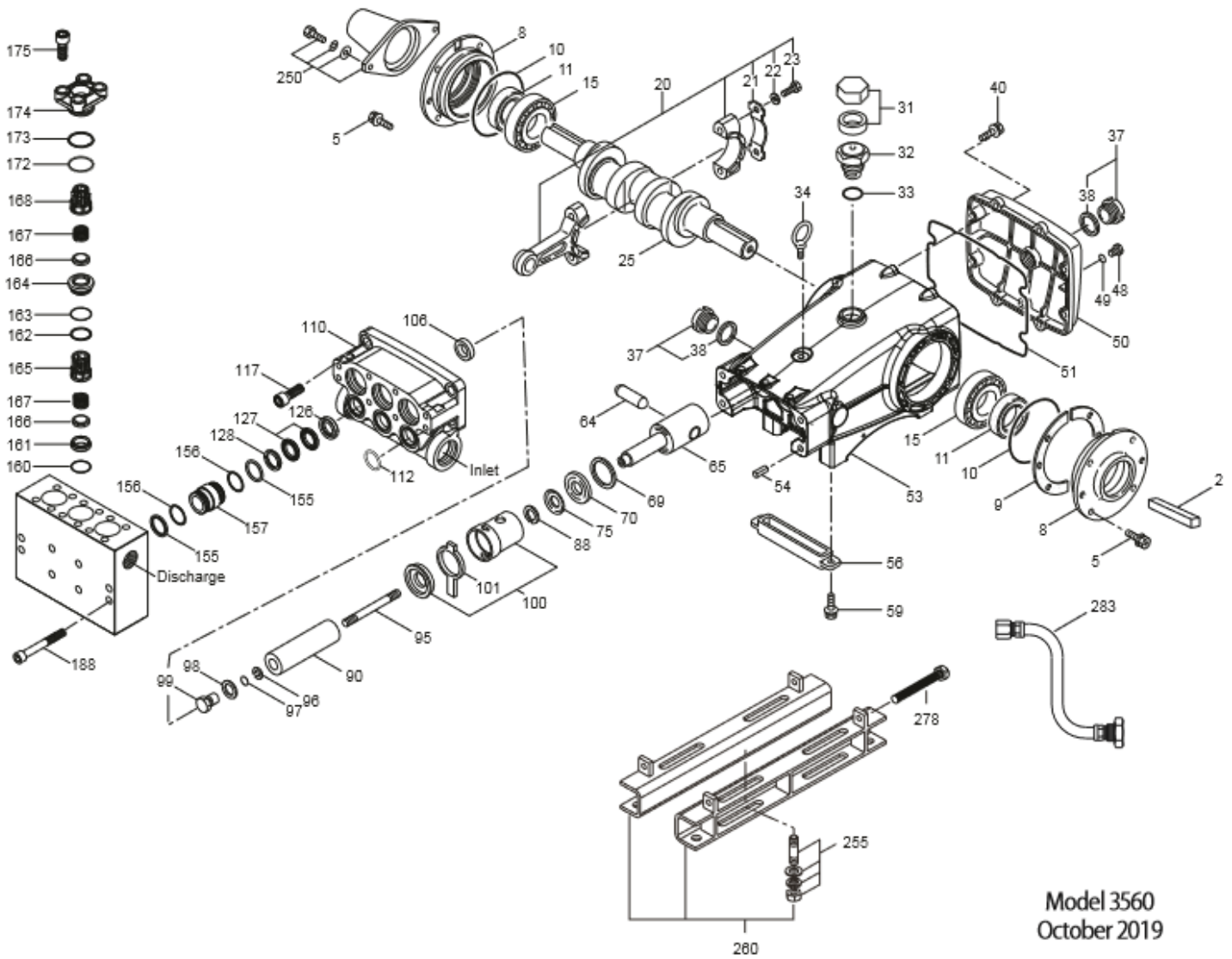
Flow	76 L/min
Pressure range	7 to 275 bar
RPM	1160 RPM
Bore	25 mm

Common specifications

Stroke	48 mm
Inlet pressure range	Flooded to 4,8 bar
Crankcase capacity	4 L
Maximum liquid temperature	71° C
Inlet ports (2)	1"-1/2" NPTF
Discharge ports (2)	1" NPTF
Shaft diameter	35 mm
Weight	64,4 kg
Dimensions	598 x 460 x 251 mm

(*) Abnormalities permitted only after consultation and written confirmation from Cat Pumps.

Exploded View



Parts list

Item	Num.	Mat.	Description	Qty
	3560			
2	34021	STL	Key (M10x8x70)	1
5	96049	S	Screw, HHC sems (M10x25) (see TB 125) {06/18}	8
8	134604	ALE	Cover, bearing (see TB 118,125) {06/18}	2
9	815279	FBR	Shim, split, 2-pc (see TB 125) {06/18}	2
10	12398	NBR	O-ring, bearing cover – 70D	2
11	13296	NBR	Seal, oil, crankshaft	2
15	29326	STL	Bearing, roller	2
20	121467	TNM	Rod, Connecting assy (incl. 21,22,23)	3
21	126749	STCP R	Washer, locking (M10)	3
22	126593	STCP R	Washer, flat (M10)	6
23	122045	STZP	Screw, HH (M10x55)	6
25	29325	FCM	Crankshaft, dual end (M48)	1
31	828710	PE	Protector, oil cap w/foam gasket	1
32	43211	ABS	Cap, oil filler	1
33	14177	NBR	O-ring, oil filler cap – 70D	1
34	126743	STCP R	Bolt, eye (M12x1,75) (for lifting pump only)	1
37	92241	-	Gauge, oil, bubble w/gasket	2
38	44428	NBR	Gasket, flat oil gauge – 80D	2
40	125753	S	Screw, HHC, sems (M8x25)	8
48	25625	STCP	Plug, drain (1/4" x 19 BSP)	1
49	23170	NBR	O-ring, drain plug – 70D	1
50	45936	ALE	Cover, crankcase (see TB 118)	1
51	16612	NBR	O-ring, crankcase – 70D	1
53	134786	ALE	Crankcase assy (incl. 34,54) (see TB 118,125) {06/18}	1
54	27488	S	Pin, guide	2
56	27790	POP	Pan, oil	1
59	92538	S	Screw, HHC sems (M6x16)	2
64	43864	CM	Pin, crosshead	3
65	49076	SSHB	Rod, plunger	3
69	126587	STCP R	Washer, oil seal	3
70	100488	NBR	Seal, oil, crankcase	3
75	110669	S	Slinger, barrier	3
88	110670	S	Washer, keyhole (M16)	3
90	48535	CC	Plunger (M25x110)	3
95	126549	STCP R	Stud, plunger retainer (M7x103)	3
96	20184	PTFE	Back-up-ring, plunger retainer	3
97	14190	NBR	O-ring, plunger retainer – 70D	3
	14161	FPM	O-ring, plunger retainer – 70D	3
98	44069	SS	Gasket, retainer	3
99	44068	SS	Retainer, plunger (M7)	3
100	855017	-	Retainer, seal 2-pc (see TB 105)	3
101	44096	-	Wick, long tab	3
106	44086	NBR	Seal, LPS w/SS-Spg	3
	45846	FPM	Seal, LPS w/SS-Spg	3
	76086	ST2	Seal, LPS w/S	3
110	49759	FBB	Manifold, inlet {08/10}	1
112	11379	NBR	O-ring, inlet manifold – 70D	3
	14183	FPM	O-ring, inlet manifold	3
117	44585	S	Screw, HSH (M14x40)	4
126	48538	BB	Adapter, female	3
127	44610	STG	V-packing	6
128	48539	BB	Adapter, male	3
155	17629	NBR	O-ring, spacer V-packing – 80D	6
	14183	FPM	O-ring, spacer V-packing	6

156	28243	PTFE	Back-up-ring, spacer V-packing	6
157	49082	BB	Spacer, V-packing	3
160	49092	NBR	O-ring, seat, inlet – 80D	3
	49155	FPM	<i>O-ring, seat, inlet – 70D</i>	3
161	49091	S	Seat, inlet	3
162	49088	PTFE	Back-up-ring, discharge seat	3
163	49087	NBR	O-ring, seat, discharge – 70D	3
	49154	FPM	<i>O-ring, seat, discharge – 70D</i>	3
164	49086	S	Seat, discharge	3
165	49090	PVDF	Retainer, spring inlet	3
166	49089	S	Valve	6
167	44109	SS	Spring	6
168	49085	PVDF	Retainer, spring, discharge	3
172	18690	NBR	O-ring, valve plug – 70D	3
	11744	FPM	<i>O-ring, valve plug</i>	3
173	20369	PTFE	Back-up-ring, valve plug	3
174	49093	BB	Plug, valve	3
175	550176	S	Screw, HSH (M14x35)	12
185	49084	SS	Manifold, discharge	1
188	49045	S	Screw, HSH (M12x95)	8
250	855042	NY	Protector, shaft, w/2 screws, lockwashers & washers (incl.w/pump) (see TB 125)	1
255	34018	STZP R	<i>Kit, direct mount</i>	1
260	92674	STZP	<i>Mounting, box assy (incl. 34018)</i>	1
275	990013	STL	<i>Hub “B” 35mm w/keyway (see TB 003)</i>	1
278	80540	ZP	<i>Screw, HH (M12x100)(rail adjusting screw)</i>	1
283	34334	-	<i>Kit, oil drain (38” x 24”) (see individual data sheet)</i>	1
299	816958	BBSS	<i>Complete head w/NBR seals and O-rings</i>	1
300	31280	NBR*	<i>Kit, seal (incl. 97,106,112,127,155,156) standard</i>	1
	31380	FPM*	<i>Kit, seal (incl. 97,106,112,127,155,156)</i>	1
	76376	STHT	<i>Kit, seal (incl. 97,106,112,127,155,156)</i>	1
310	31292	NBR	<i>Kit, valve (incl. 160,161,162,163,164,165,166,167,168,172,173) standard</i>	1
	31296	FPM	<i>Kit, valve (incl. 160,161,162,163,164,165,166,167,168,172,173)</i>	1
-	819000	F	<i>Assy, crankcase, cast iron conversion</i>	1

Italics are optional items. * Review material codes for individual items. (STG generally may be used as alternate)
R Components comply with RoHS directive. { } Date of latest production change.
View ‘Tech Bulletins’ 035, 074, 083,105, 118 and 125 for additional information.

Material codes: (not part or part number)

ABS	ABS plastic	FPM	Fluorocarbon	SS	316SS
ALE	Aluminum Epoxy	NBR	Medium nitrile (Buna-N)	SSHB	316 SS / high strength
BB	Brass	NBRS	Buna, silicone free	STCP	Steel / chrome plated
BBSS	Brass / 316 SS	NY	Nylon	STG	Special blend PTFE white
CC	Ceramic	PE	Polyethylene	STHT	Special PTFE High temp
CM	Chrome-moly	POP	Polypropylene	STL	Steel
F	Cast iron	PPG	Glas filled polypropylene	STZP	Steel / zinc plated
FBB	Forged brass	PTFE	Pure polytetrafluoroethylene	TNM	Special high strength
FBR	Fiber	PVDF	Polyvinylidene fluoride	ZP	Zinc plated
FCM	Forged chrome-moly	S	304SS		