



Technical specifications and instructions



**7 Frame
Plunger pump**

**Standard model
56.B01**

**Gearbox model
56.G1**

Specifications (*)

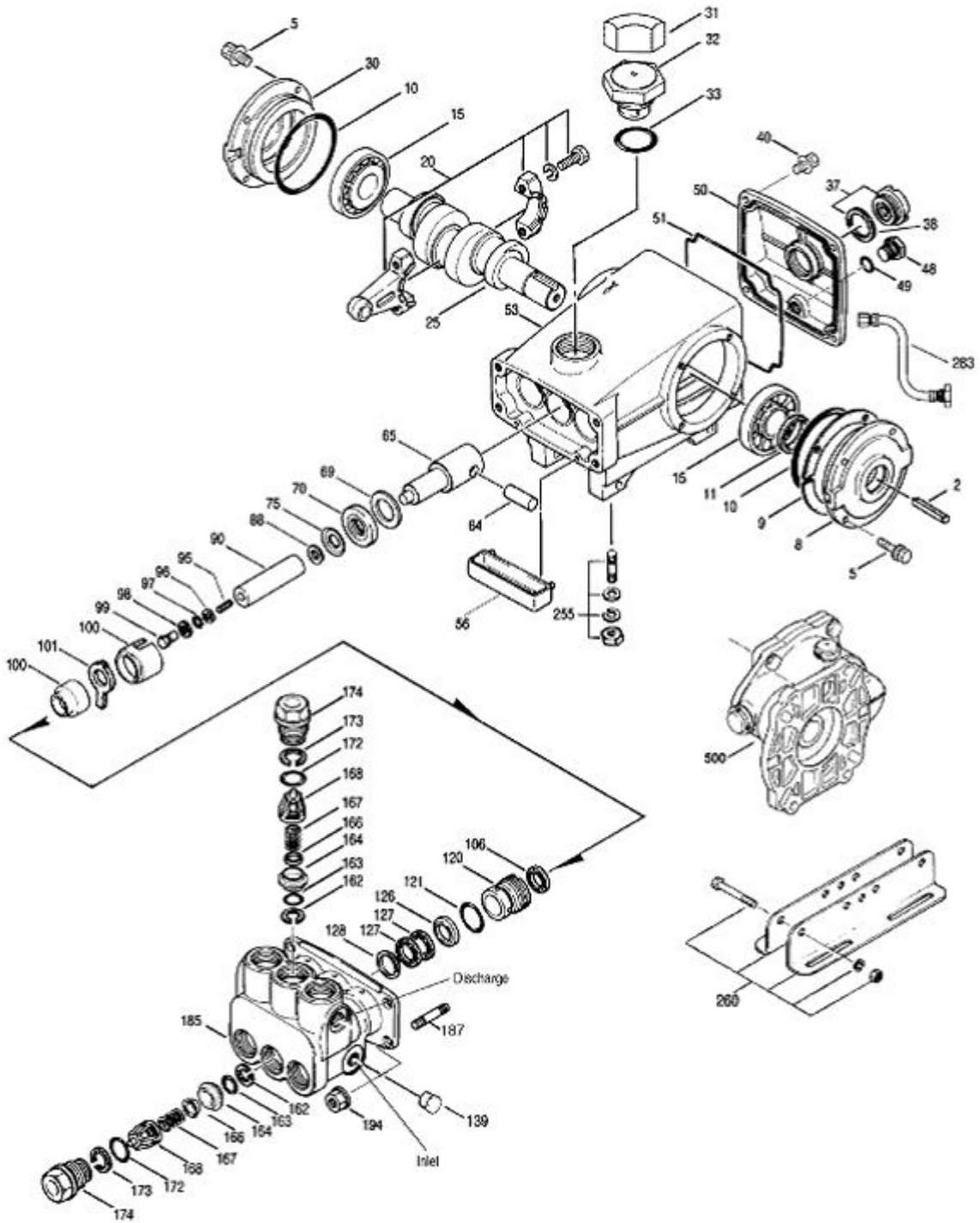
	Model 56.B01	Model 56.G1
Flow	25 l/min	30 l/min
Pressure range	7 to 190 bar	7 to 175 bar
RPM pump	1450 RPM	1760 RPM
RPM engine	-	3600 RPM
Stroke	24 mm	24 mm

Common specifications

Bore	18 mm
Inlet pressure range	flooded to 4.1 bar
Crankcase capacity	0,74 l
Maximum liquid temperature	71° C
Inlet ports (2)	1/2" NPTF
Discharge ports (2)	3/8" NPTF
Shaft diameter	24 mm
Weight	13,3 kg
Weight w/gearbox	16,7 kg
Dimensions (pump only)	354 x 208 x 163 mm
Dimensions (w/gearbox)	354 x 275 x 163 mm

(*) Abnormalities permitted only after consultation and written confirmation from Cat Pumps.

Exploded View



Parts list

Item	Num.	Mat.	Description	Qty
	56.B01			
	56.G1			
2	30067	STL	Key (M8x7,5x25)	1
5	125824	STCP R	Screw, HHC, sems (M6x16)	8
8	133571	ALE	Cover, bearing (see TB 118,123)	1
9	815280	FBR	Shim, split, 2-pc	1
10	12393	NBR	O-ring, bearing cover	2
11	43222	NBR	Seal, oil crankshaft	1
15	43221	STL	Bearing, roller	2
20	48863	TNM	Rod, connecting {06/02}	3
25	43464	FCM	Crankshaft, single end	1
30	133572	ALE	Cover, bearing blind (see TB 118,123)	1
31	828710	PE	Protector, oil cap w/foam gasket	1
32	44666	RTP	Cap, oil filler, domed-gearbox models	1
33	14177	NBR	O-ring, oil filler cap – 70D	1
37	92241	PC	Gauge, oil, bubble w/gasket – 80D	1
38	44428	NBR	Gasket, flat flex, oil gauge – 80D	1
40	126541	STCP R	Screw, HHC sems (M6x20)	4
48	25625	STCP	Plug, drain (1/4" x 19 BSP)	1
49	23170	NBR	O-ring, drain plug – 70D	1
50	133569	ALE	Cover, rear (see TB 118,123)	1
51	14047	NBR	O-ring, rear cover (see TB 106)	1
53	133593	ALE	Crankcase (see TB 118,123)	1
56	43240	POP	Pan, oil	1
64	43237	CM	Pin, crosshead	3
65	48913	SHS	Rod, plunger, short {05/02}	3
69	126589	STCP R	Washer, oil seal	3
70	43228	NBR	Seal, oil, crankcase	3
75	43328	S	Slinger, barrier	3
88	45697	S	Washer, keyhole (M18xM10)	3
90	43232	CC	Plunger (M18x77)	3
95	126559	STCP R	Stud, plunger retainer (M6x70)	3
96	43235	PTFE	Back-up-ring, plunger retainer	3
97	17399	NBR	O-ring, plunger retainer – 80D	3
	14160	FPM	O-ring, plunger retainer – 80D	3
98	45891	CU	Gasket, plunger retainer	3
99	46504	S	Retainer, plunger (M6)	3
100	45689	PVDF	Retainer, seal, 2pc (see TB 105)	3
101	43239	FBR	Wick, long tab	3
106	43243	NBR	Seal, LPS w/S-Spg	3
	44926	FPM	Seal, LPS w/SS-Spg	3
	76243	ST2	Seal, LPS w/S-Spg	3
120	45685	BB	Case, seal	3
121	20285	NBR	O-ring, seal case – 70D	3
	11693	FPM	O-ring, seal case	3
126	44550	BB	Adapter, female	3
127	44549	SNG	V-packing	6
	45617	SFG	V-packing	6
	48300	STG	V-packing	6
128	45618	BB	Adapter, male	3
139	43448	BB	Plug, inlet (1/2" NPTM)	1
162	43248	PTFE	Back-up-ring, seat	6

163	43249	NBR	O-ring, seat – 80D	6
	<i>44383</i>	<i>FPM</i>	<i>O-ring, seat – 70D</i>	6
164	43722	S	Seat	6
166	43721	S	Valve	6
167	43751	S	Spring	6
168	44564	PVDF	Retainer, spring	6
172	14179	NBR	O-ring, valve plug – 70D	6
	<i>15855</i>	<i>FPM</i>	<i>O-ring, valve plug – 70D</i>	6
173	20213	PTFE	Back-up-ring, valve plug	6
174	45939	BB	Plug, valve, extended	6
185	45937	FBB	Head, manifold (M10)	1
187	46868	S	Stud, Manifold (M10x35)	4
194	126567	STCP R	Nut, hex flanged (M10)	4
255	<i>30243</i>	<i>STZP</i>	<i>Kit, direct mount</i>	1
260	<i>30611</i>	<i>STZP R</i>	<i>Assy, angle rail B (2.09" x 9.45")</i>	1
	<i>30645</i>	<i>STZP R</i>	<i>Assy, angle rail A (2.95" x 11.81")</i>	1
299	814618	FBB	Head, complete w/NBR seals and O-rings	1
300	30799	NBR	Kit, seal (incl. 97,101,106,121,127) standard	1
	<i>34237</i>	<i>FPM</i>	<i>Kit, seal (incl. 97,101,106,121,127)</i>	1
	<i>76799</i>	<i>HT</i>	<i>Kit, seal 'High-Temp' (incl. 97,101,106,121,127)</i>	1
	<i>76826</i>	<i>STHT</i>	<i>Kit, seal (incl. 97,101,106,121,127)</i>	1
310	33820	NBR	Kit valve (incl.162-168,172,173) standard	2
	<i>34238</i>	<i>FPM</i>	<i>Kit valve (incl.162-168,172,173)</i>	2
500	8071	-	Gearbox 1" shaft (see individual datasheet)	1

Bold print part numbers are unique to a particular pump model. Italics are optional items.

{ } Date of latest production change. R Components comply with RoHS Directive. For additional technical information see www.catpumps.com/literature/tech-bulletins.

Material codes: (not part or part number)

ALE	Aluminum Epoxy	FPM	Fluorocarbon	S	304SS
BB	Brass	HT	High temperature	SFG	Special blend FPM
CC	Ceramic	NBR	Medium nitrile (Buna-N)	SHS	304 SS/ high strength
CM	Chrome-moly	PC	Poly carbonate	SNG	Special blend (Buna)
CU	Copper	PE	Polyethylene	STCP	Steel/chrome plated
F	Cast iron	POP	Polypropylene	STG	Special blend PTFE white
FBB	Forged brass	PTFE	Pure polytetrafluorethylene	STHT	Special PTFE High Temp
FBR	Fiber	PVDF	Polyvinylidene fluoride	STL	Steel
FCM	Forged chrome-moly	RTP	Reinforced composite	STZP	Steel/zinc plated
				TNM	Special high strength