



## Technical specifications and instructions



### **5CP Plunger pump**

#### **Standard Models**

**5CP5120**

**5CP5140**

#### **Gearbox Models**

**5CP5140CSSG1**

**5CP5150G1**

#### Specifications (\*)

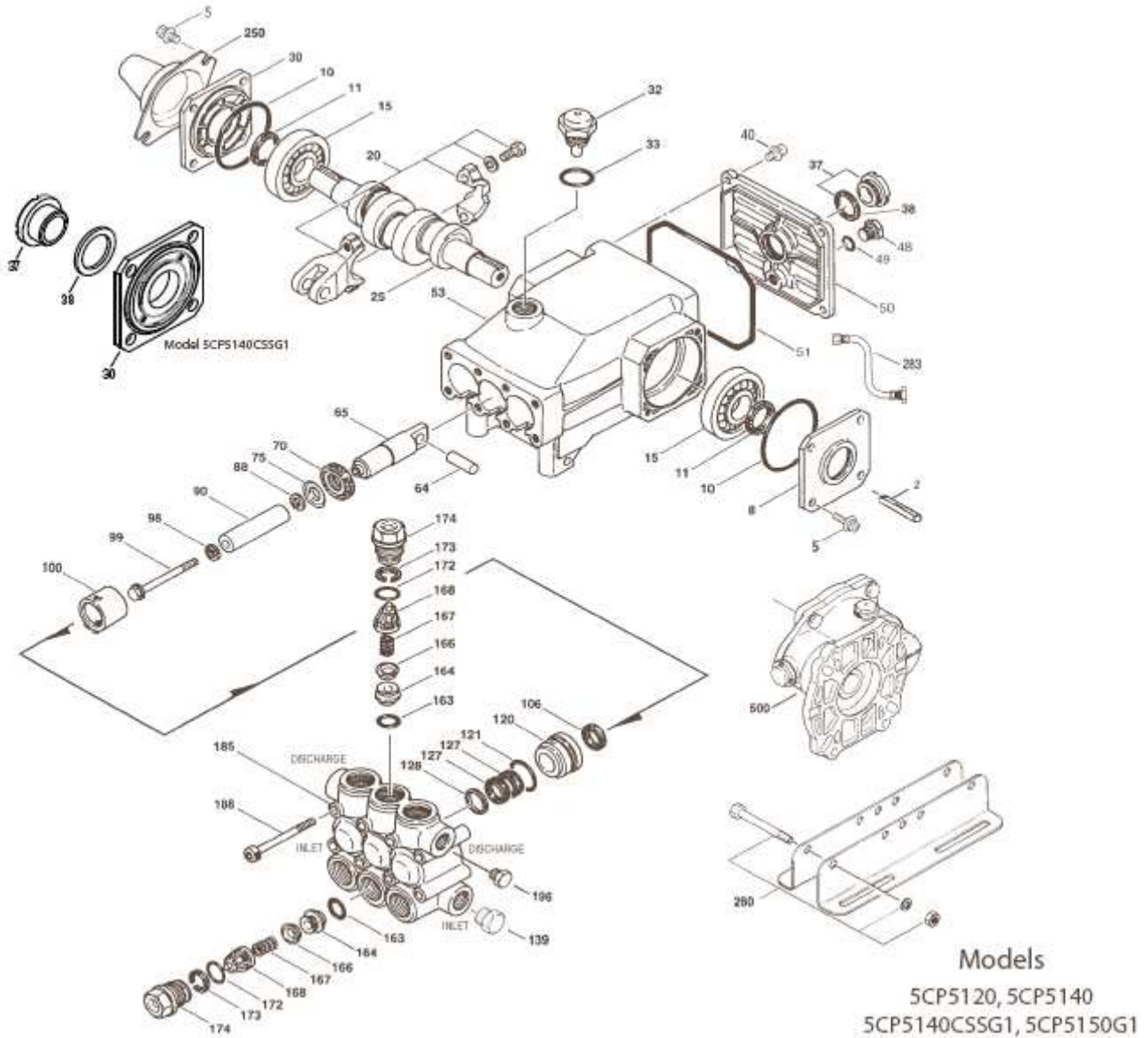
	<b>Model 5CP5120</b>	<b>Model 5CP5140</b>
<b>Flow</b>	19 l/min	22 l/min
<b>Pressure range</b>	7 to 210 bar	7 to 245 bar
<b>RPM</b>	1420 RPM	1500 RPM
<b>Stroke</b>	18 mm	20 mm
<b>Weight</b>	9 kg	9kg
	<b>Model 5CP5140CSSG1</b>	<b>Model 5CP5150G1</b>
<b>Flow</b>	21 l/min	19 l/min
<b>Pressure range</b>	7 to 245 bar	7 to 210 bar
<b>Pump RPM</b>	1500 RPM	1570 RPM
<b>Engine RPM</b>	3060 RPM	3200 RPM
<b>Stroke</b>	20 mm	16,5 mm
<b>Weight</b>	12 kg	12 kg

#### Common specifications

<b>Bore</b>	<b>18 mm</b>
<b>Inlet pressure range</b>	<b>-2 to 4 bar</b>
<b>Crankcase capacity</b>	<b>0,51 L</b>
<b>Maximum liquid temperature</b>	<b>71°C</b>
<b>Inlet ports (2)</b>	<b>1/2" NPTF</b>
<b>Discharge ports (2)</b>	<b>3/8" NPTF</b>
<b>Shaft diameter</b>	<b>20 mm</b>
<b>Dimensions (pump only)</b>	<b>263 x 254 x 147 mm</b>
<b>Dimensions (with gearbox)</b>	<b>267 x 315 x 162 mm</b>

(\*) Abnormalities permitted only after consultation and written confirmation from Cat Pumps.

# Exploded View



# Parts list

lt.	Num.	Mat.	Num.	Mat.	Num.	Mat.	Description	Qt
			5CP5140					
	5CP5120		5CP5140CSSG1		5CP5150G1			
2	30057	STL	30057	STL	30057	STL	Key (M6x6x25)	1
5	96031	STZP	96031	STZP	96031	STZP	Screw, HHC sems (M8x16)	8
	126542	STCP R	126542	STCP R	126542	STCP R	Screw, HHC sems (M8x16)	8
8	46910	AL	46910	AL	46910	AL	Cover, bearing	2-1-0
10	14028	NBR	14028	NBR	14028	NBR	O-ring, bearing cover – 70D	2-2-1
11	43222	NBR	43222	NBR	43222	NBR	Seal, oil, crankshaft – 70D	2-1-0
15	14480	STL	14480	STL	14480	STL	Bearing, ball	2-2-2
20	48742	TNM	48742	TNM	48742	TNM	Rod, connecting assy {10/01}	3
25	<b>46928</b>	<b>FCM</b>	-	-	-	-	Crankshaft, dual end, M18– 5120	1
	-	-	<b>48646</b>	<b>FCM</b>	-	-	Crankshaft, dual end, M20– 5140	1
	-	-	<b>49773</b>	<b>FCM</b>	-	-	Crankshaft, single end, M20 – 5140CSSG1	1
	-	-	-	-	<b>48368</b>	<b>FCM</b>	Crankshaft, single end, M16,5– 5150G1	1
30	-	-	<b>49776</b>	<b>AL</b>	<b>49776</b>	<b>AL</b>	Cover, bearing – 5140CSSG1	1
	-	-	<b>48224</b>	<b>AL</b>	<b>48224</b>	<b>AL</b>	Cover, bearing, blind – 5140G1-5150G1	1
32	46798	-	46798	-	46798	-	Cap, oil filler, domed	1
33	14179	NBR	14179	NBR	14179	NBR	O-ring, oil filler cap – 70D	1
37	92241	-	92241	-	92241	-	Gauge, oil, bubble w/gasket – 80D	2
38	44428	NBR	44428	NBR	44428	NBR	Gasket, flat, oil gauge – 80D	2
40	92519	STZP	92519	STZP	92519	STZP	Screw, HHC sems (M6x16)	4
	125824	STCP R	125824	STCP R	125824	STCP R	Screw, HHC sems (M6x16)	4
48	25625	STCP	25625	STCP	25625	STCP	Plug, drain (1/4"x19BSP)	1
49	23170	NBR	23170	NBR	23170	NBR	O-ring, drain plug – 70D	1
50	46940	AL	46940	AL	46940	AL	Cover, rear	1
51	14044	NBR	14044	NBR	14044	NBR	O-ring, rear cover	1
53	48617	AL	48617	AL	48617	AL	Crankcase	1
64	46746	CM	46746	CM	46746	CM	Pin, crosshead	3
65	48458	BBNP	48458	BBNP	48458	BBNP	Rod, plunger	3
70	46838	NBR	46838	NBR	46838	NBR	Seal, oil, crankcase – 70D	3
75	43328	S	43328	S	43328	S	Slinger, barrier	3
88	45697	S	45697	S	45697	S	Washer, keyhole (M18x10)	3
90	49655	CC	49655	CC	49655	CC	Plunger (M18x50)	3
98	46730	NBR	46730	NBR	46730	NBR	Washer, seal – 90D	3
	48394	FPM	48394	FPM	48394	FPM	Washer, seal – 90D	3
	# 48432	EPDM	# 48432	EPDM	# 48432	EPDM	Washer, seal	3
99	+ 48201	SS	+ 48201	SS	+ 48201	SS	Retainer, plunger w/stud (M6)	3
100	46749	PVDF	46749	PVDF	46749	PVDF	Retainer, seal	3
106	43243	NBR	43243	NBR	43243	NBR	Seal, LPS w/S-Spg	3
	44926	FPM	44926	FPM	44926	FPM	Seal, LPS w/SS-Spg	3
	# 46651	EPDM	# 46651	EPDM	# 46651	EPDM	Seal, LPS w/SS-Spg	3
	76243	ST2	76243	ST2	76243	ST2	Seal, LPS w/S-Spg	3
120	49657	BB	49657	BB	49657	BB	Case, seal (press-in-style)	3
121	13978	NBR	13978	NBR	13978	NBR	O-ring, seal case – 70D	3
	14329	FPM	14329	FPM	14329	FPM	O-ring, seal case	3
	# 48904	EPDM	# 48904	EPDM	# 48904	EPDM	O-ring, seal case	3
127	44549	SNG	44549	SNG	44549	SNG	V-packing	6
	45617	SFG	45617	SFG	45617	SFG	V-packing	6
	48300	STG	48300	STG	48300	STG	V-packing	6
128	45618	BB	45618	BB	45618	BB	Adapter, male	3
139	22179	BBCP	22179	BBCP	22179	BBCP	Plug, inlet (1/2"NPTM)	1
163	17547	NBR	17547	NBR	17547	NBR	O-ring, seat – 85D	6
	11685	FPM	11685	FPM	11685	FPM	O-ring, seat – 85D	6
	# 46648	EPDM	# 46648	EPDM	# 46648	EPDM	O-ring, seat – 70D	6

164	45790	S	45790	S	45790	S	Seat	6
166	46429	S	46429	S	46429	S	Valve	6
167	43750	S	43750	S	43750	S	Spring	6
168	+ 44565	PVDF	+ 44565	PVDF	+ 44565	PVDF	Retainer, spring	6
172	17549	NBR	17549	NBR	17549	NBR	O-ring, valve plug – 70D	6
	26996	FPM	26996	FPM	26996	FPM	O-ring, valve plug – 70D	6
	# 49133	EPDM	# 49133	EPDM	# 49133	EPDM	O-ring, valve plug	6
173	48365	D	48365	D	48365	D	Back-up-ring, valve plug	6
174	45900	BB	45900	BB	45900	BB	Plug, valve	6
185	46895	FBB	46895	FBB	46895	FBB	Manifold, head	1
188	126513	STCP R	126513	STCP R	126513	STCP R	Screw, HSH (M8x70)	8
196	22187	BBCP	22187	BBCP	22187	BBCP	Plug, discharge (3/8"NPTM)	1
250	<b>118672</b>	<b>STCP</b>	<b>118672</b>	<b>STCP</b>	-	-	Protector, shaft	1
255	30243	STZP	30243	STZP	30243	STZP	Mount, direct	1
260	<b>30611</b>	<b>STZP R</b>	<b>30611</b>	<b>STZP R</b>	-	-	Mount, rail, assy	1
	<b>30637</b>	<b>STZP</b>	<b>30637</b>	<b>STZP</b>	-	-	Mount, angle assy-retro fit (see TB 078)	1
265	<b>30659</b>	-	<b>30659</b>	-	-	-	Kit, complete mounting (incl 30611,30633,118672)	1
275	30944	STL	30944	STL	30944	STL	Assembly, Hub & Key (incl 30945, 30057)	1
283	34334	-	34334	-	34334	-	Kit, oil drain (3/8"x24")	1
	76334	-	76334	-	76334	-	Kit, oil indicator (3/8"x24")	1
299	814844	FBB	814844	FBB	814844	FBB	Head, complete	1
300	33630	NBR	33630	NBR	33630	NBR	Kit, seal (inclcls: 98,106,121,127)	1
	31350	FPM*	31350	FPM*	31350	FPM*	Kit, seal (inclcls: 98,106,121,127)	1
	76645	HT	76645	HT	76645	HT	Kit, seal (inclcls: 98,106,121,127)	1
	# 76630	EPDM	# 76630	EPDM	# 76630	EPDM	Kit, seal (inclcls: 98,106,121,127)	1
	76546	STHT	76546	STHT	76546	STHT	Kit, seal (inclcls: 98,106,120,121,127)(prior to 2/09)	1
	76960	STHT	76960	STHT	76960	STHT	Kit, seal (inclcls: 98,106,121,127) (after 2/09)	1
310	33060	NBR	33060	NBR	33060	NBR	Kit, valve (inclcls:,163,164,166,167,168,172,173)	2
	31345	FPM	31345	FPM	31345	FPM	Kit, valve (inclcls:,163,164,166,167,168,172,173)	2
	# 31735	EPDM	# 31735	EPDM	# 31735	EPDM	Kit, valve (inclcls:,163,164,166,167,168,172,173)	2
350	30696	STZP	30696	STZP	30696	STZP	Pliers, reverse	1
400	7850	BB	7850	BB	7850	BB	Modular unloader	1
500	-	-	8076	-	8076	-	Gearbox	1

**Bold print numbers are unique to a particular pump model. Italics are optional items. { }** Date of latest production change.

# Silicone oil/grease required. + Production parts are different than repair parts. R Components comply with RoHS directive.

\* Review individual parts in each kit for material identification.

View 'Tech Bulletins' 002, 003, 024, 036, 043, 053, 060, 061, 064, 073, 074, 077, 078 and 083 for additional information.

Material codes: (not part or part number)

AL	Aluminum	FCM	Forged chrome-moly	SNG	Special blend (Buna)
BB	Brass	FPM	Fluorocarbon	SS	316 stainless steel
BBCP	Brass / chrome plated	HT	Hi-Temp (EPDM alternative)	ST2	Special blend PTFE grey
BBNP	Brass nickel plated	NBR	Medium nitrile (Buna-N)	STCP	Steel / chrome plated
CC	Ceramic	NY	Nylon	STG	Special blend PTFE white
CM	Chrome-moly	PTFE	Pure polytetrafluoroethylene	STL	Steel
D	Acetal	PVDF	Polyvinylidene fluoride	STZP	Steel / zinc plated
EPDM	Ethylene propylene diene mon.	S	304 stainless steel	TNM	Special high strength
FBB	Forged brass	SFG	Special blend FPM		